

Air-handling for aseptic preparation

Presenter : Chris Neophytou (Troup Bywaters + Anders)



**TROUP
BYWATERS
+ ANDERS**

Bringing Buildings to Life

Chris Neophytou

BEng(Hons) , MCIBSE, Ceng ,MIHEEM

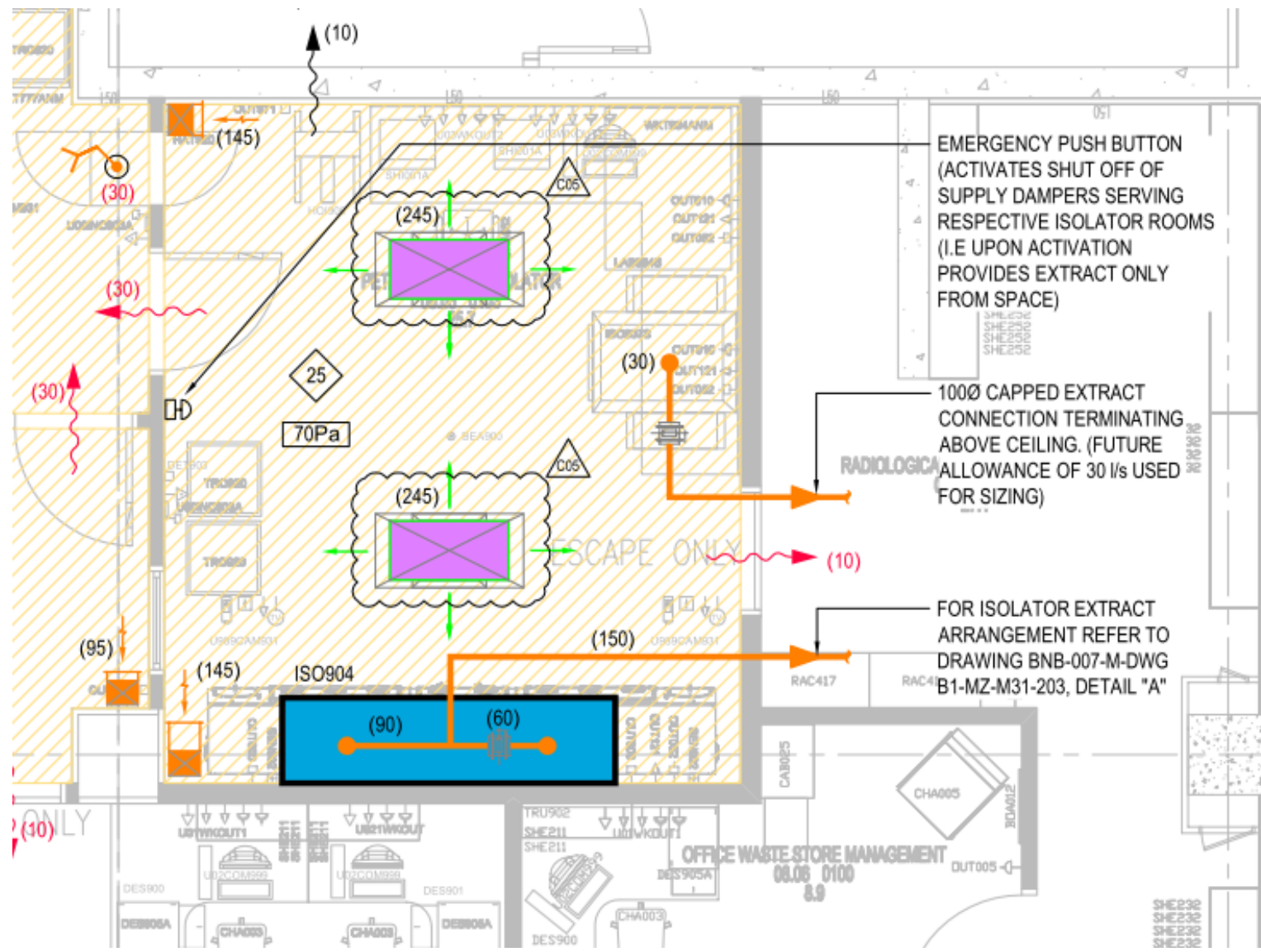
Associate Partner at Troup Bywaters + Anders

Time with TB+A - 33 Years

**Principle mechanical engineer on the St Bart's
Project**

Ventilation Issues that needed to be considered in the design of the radio-pharmacy:

- High air change rates
- Significant remoteness of the radio-pharmacy with respect to the discharge point
- Room pressure regimes
- Maintaining constant air volumes in the rooms under all conditions.
- Emergency procedures (cessation of positive pressure)
- Relatively minimal ceiling void space
- St Pauls sight lines



EMERGENCY PUSH BUTTON
(ACTIVATES SHUT OFF OF
SUPPLY DAMPERS SERVING
RESPECTIVE ISOLATOR ROOMS
(I.E UPON ACTIVATION
PROVIDES EXTRACT ONLY
FROM SPACE)

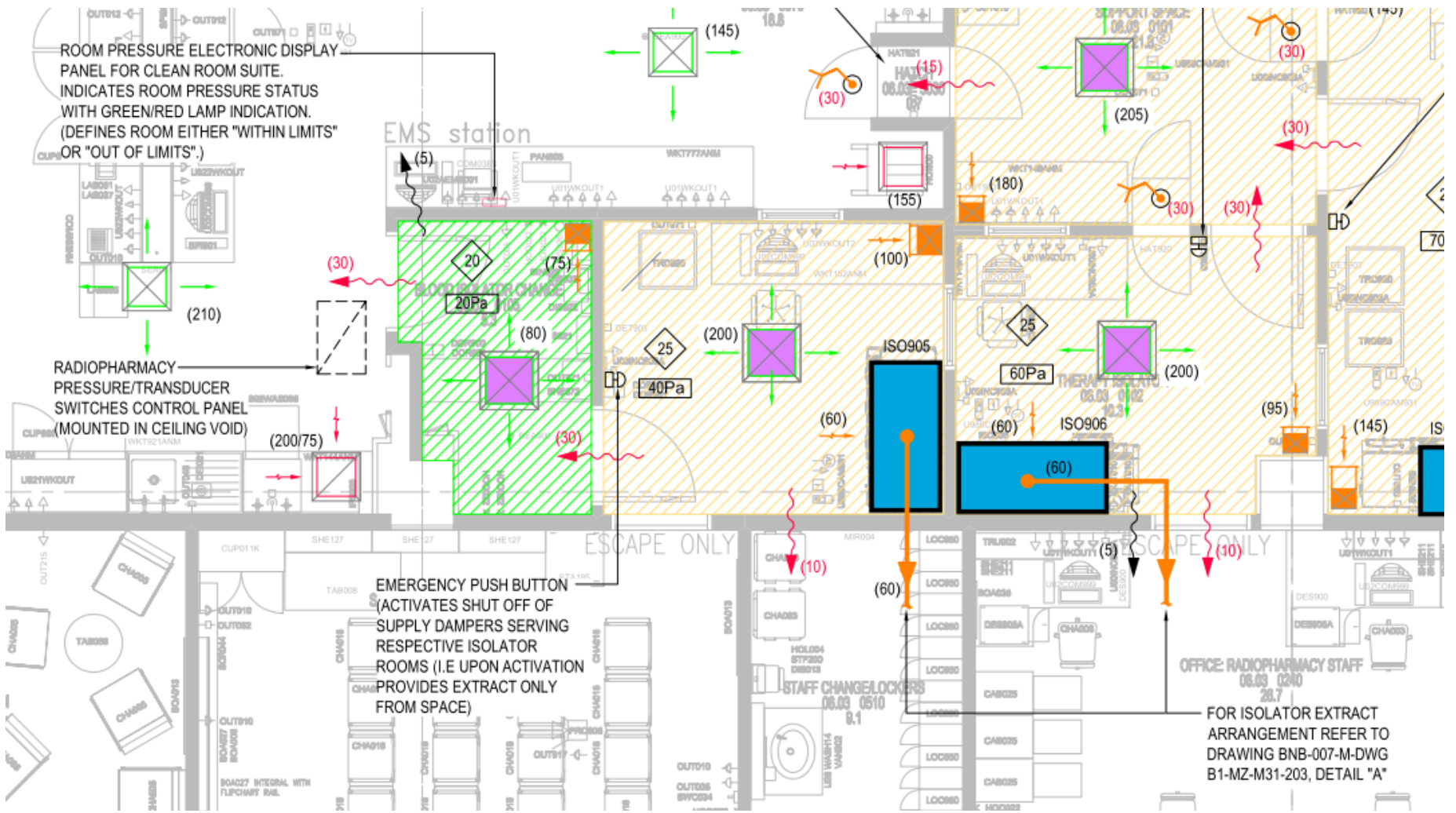
1000 CAPPED EXTRACT
CONNECTION TERMINATING
ABOVE CEILING. (FUTURE
ALLOWANCE OF 30 l/s USED
FOR SIZING)

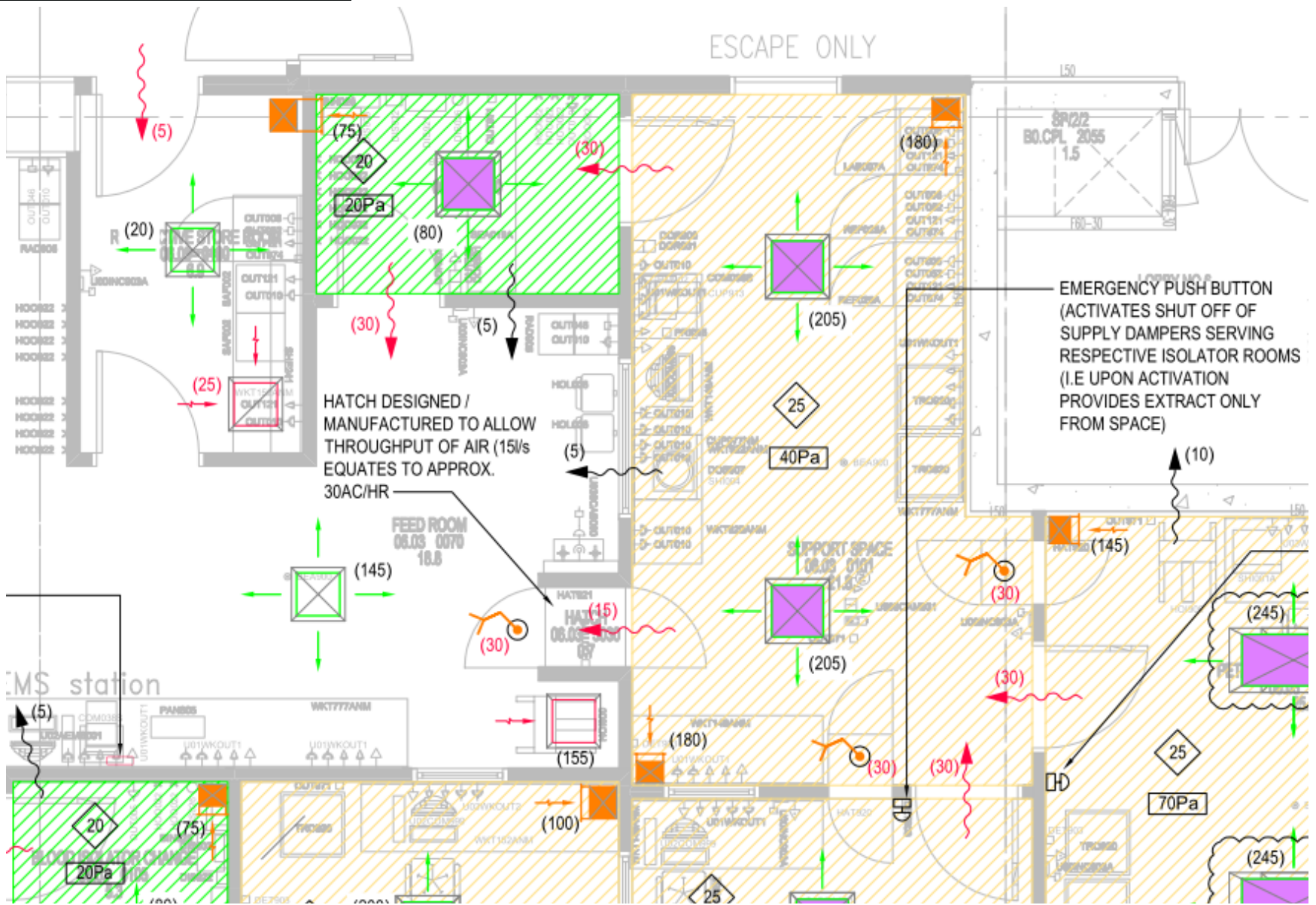
FOR ISOLATOR EXTRACT
ARRANGEMENT REFER TO
DRAWING BNB-007-M-DWG
B1-MZ-M31-203, DETAIL "A"

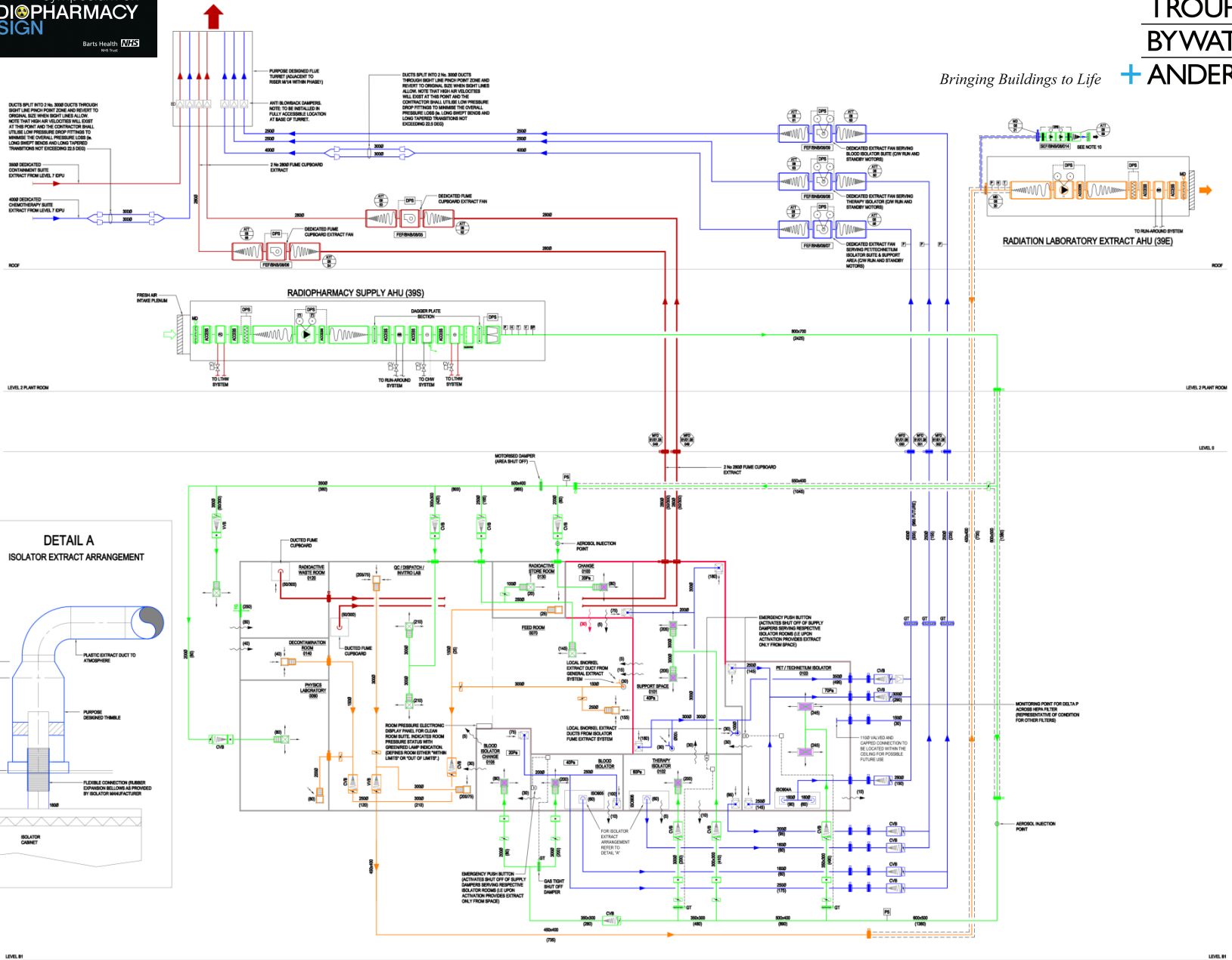
RADIOLOGICAL

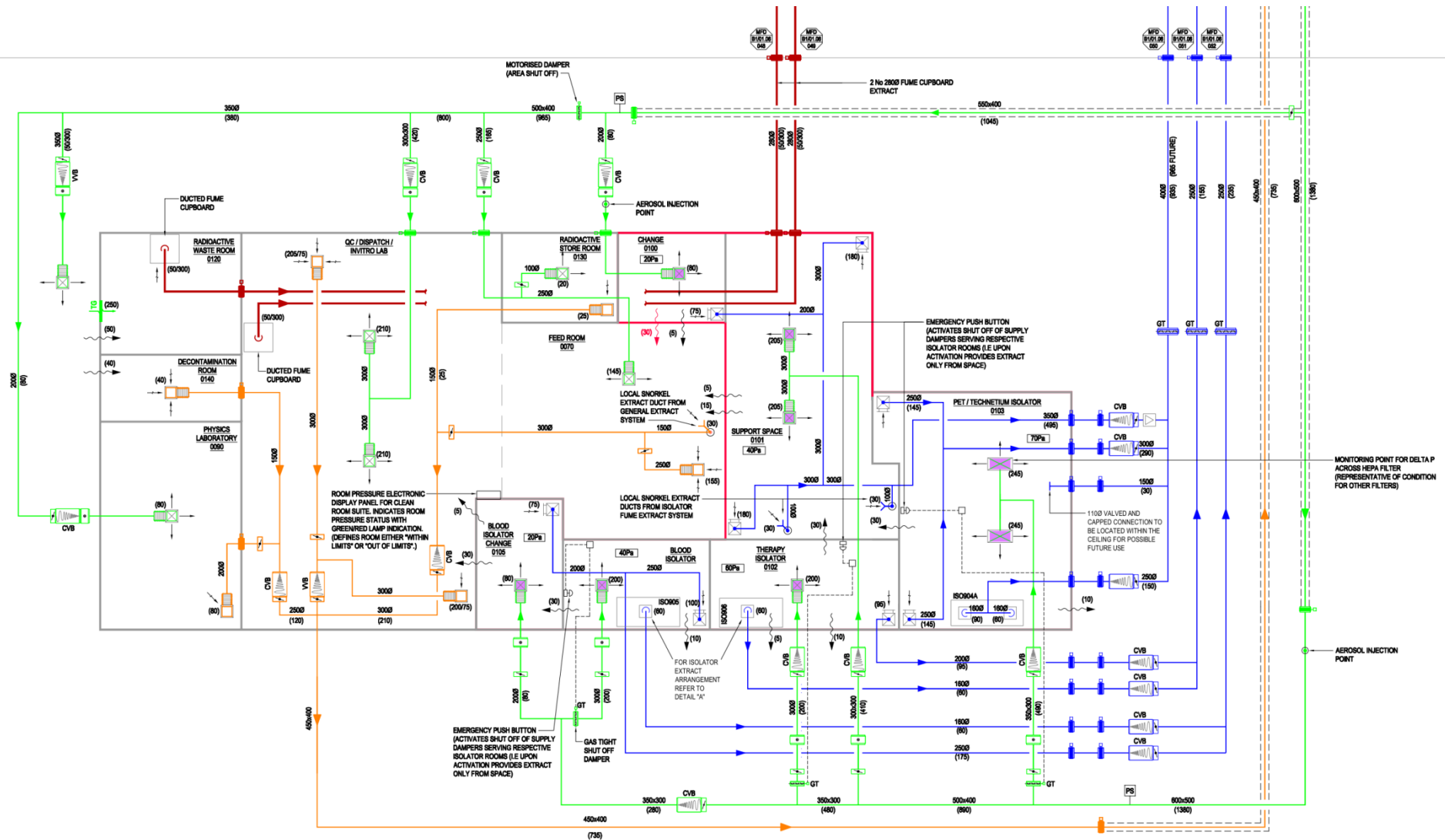
OFFICE WASTE STORE MANAGEMENT
08.06 0100
8.9

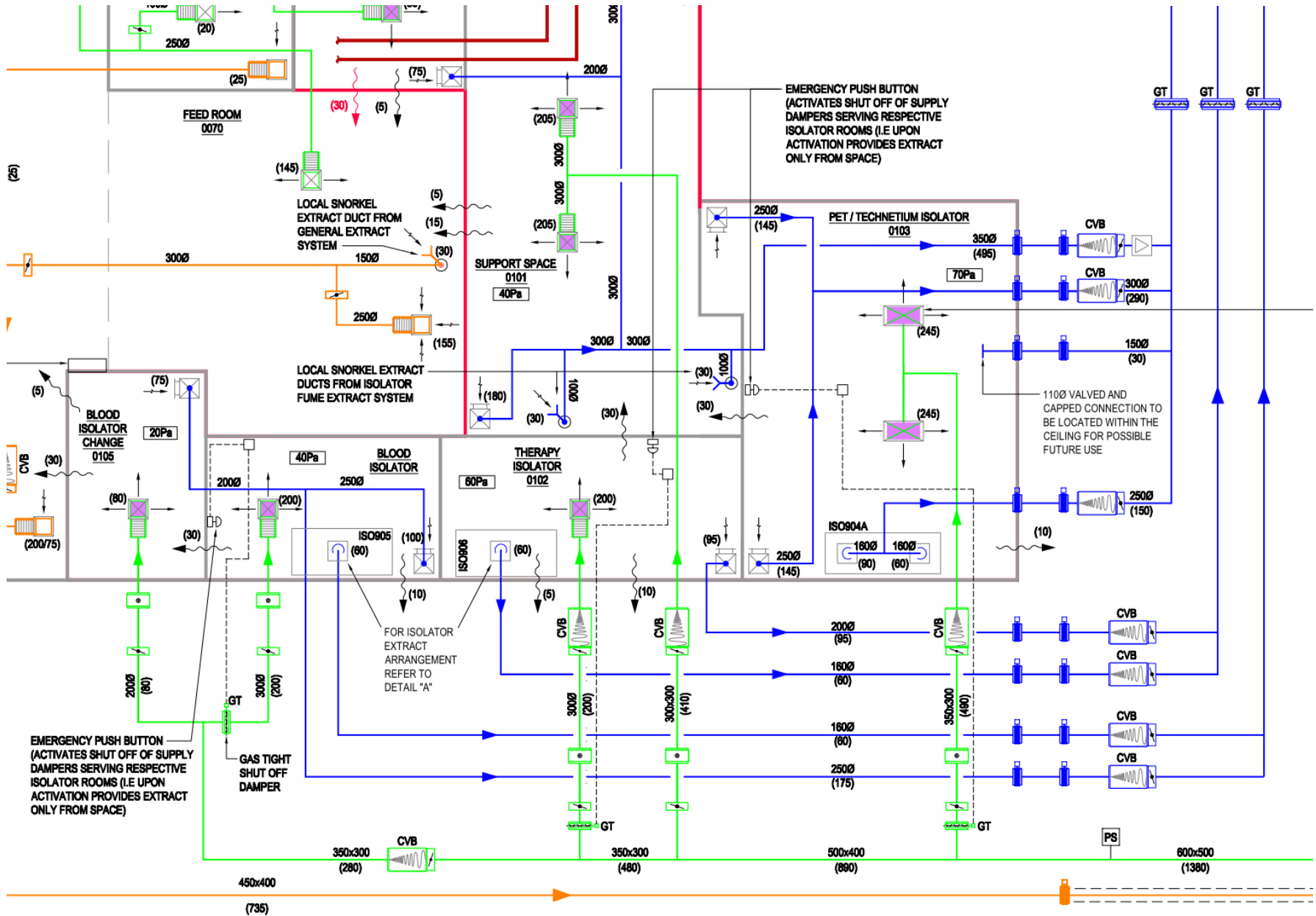
SHE230
SHE230
SHE230
SHE230

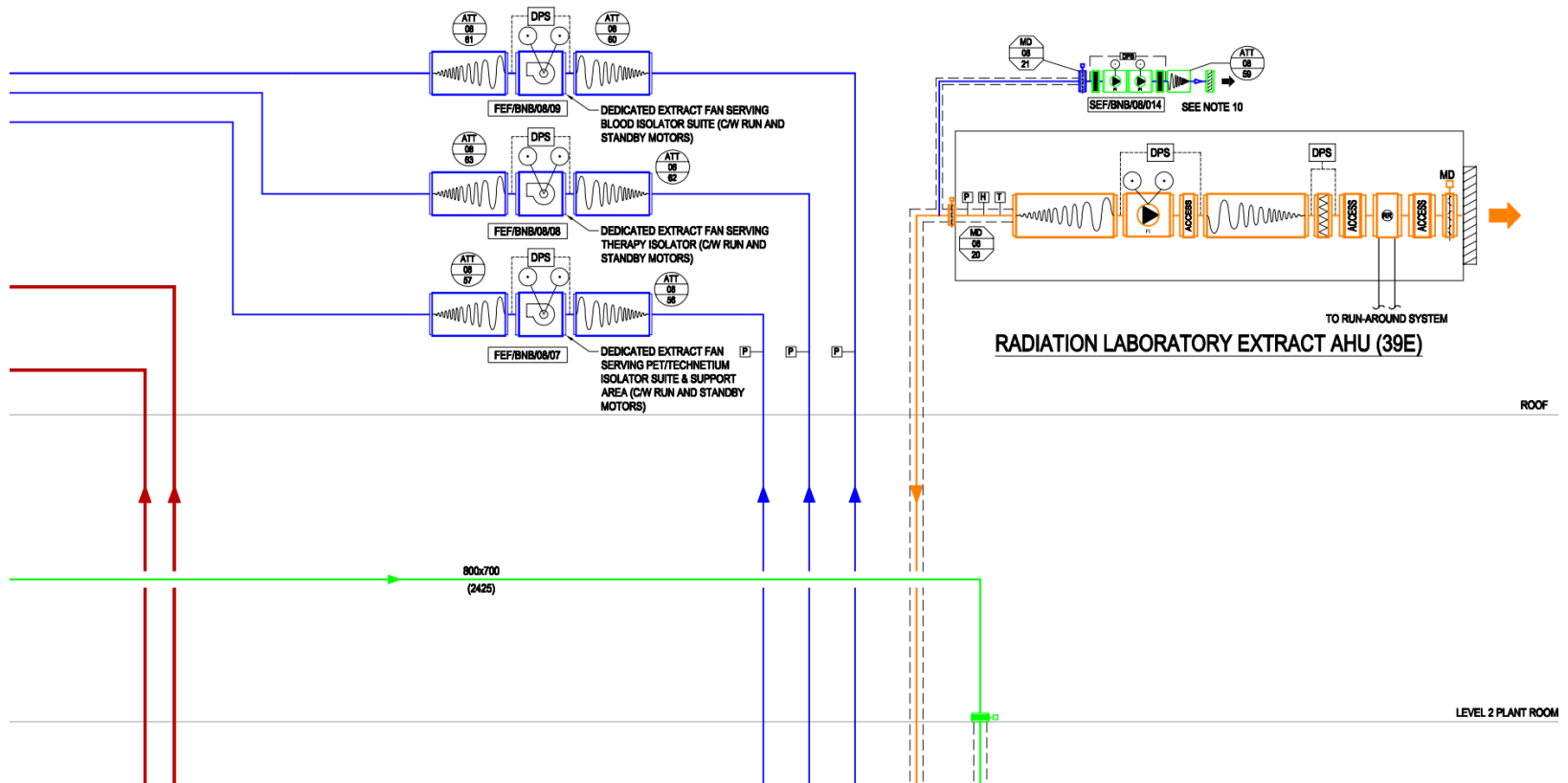


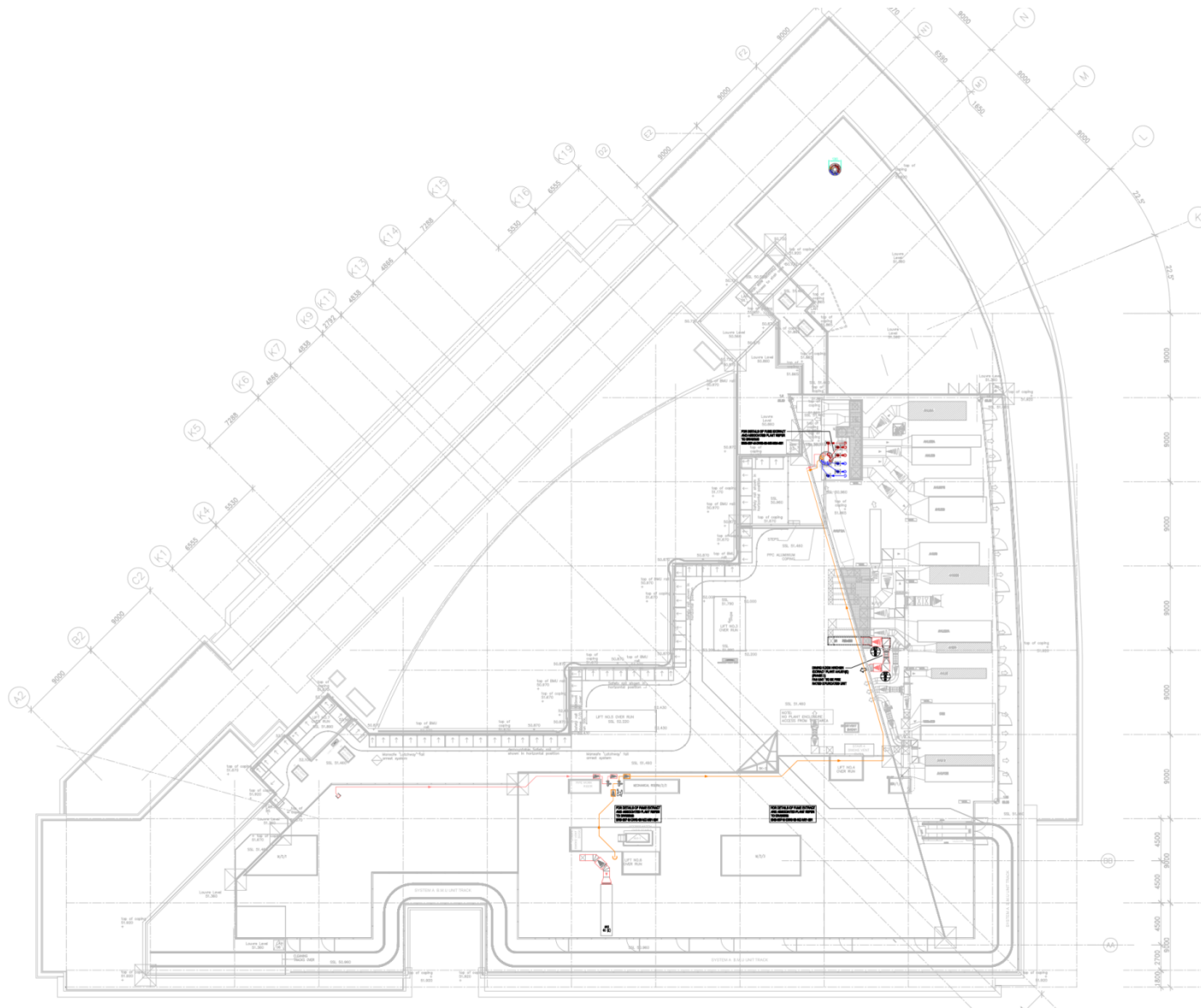


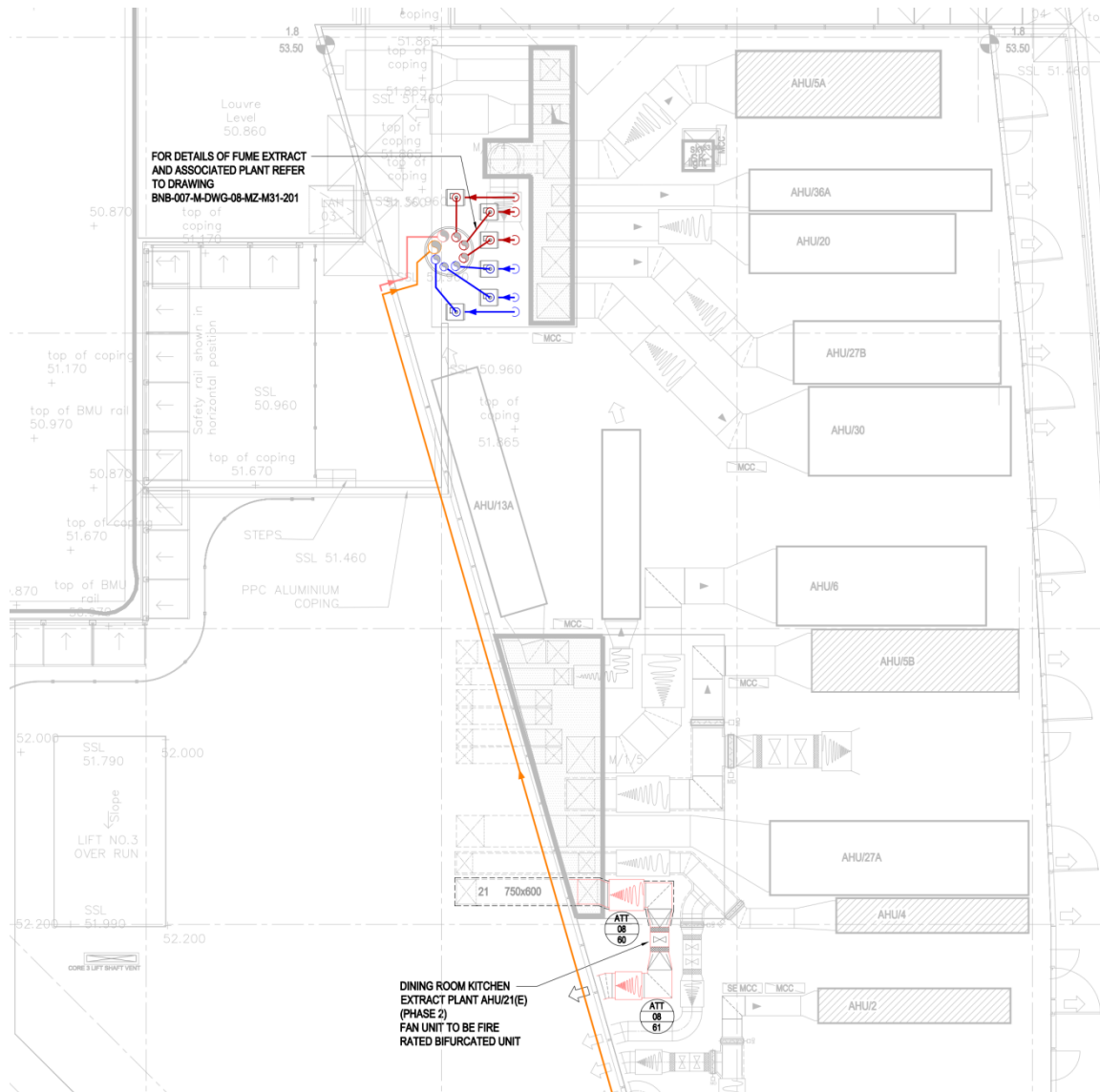


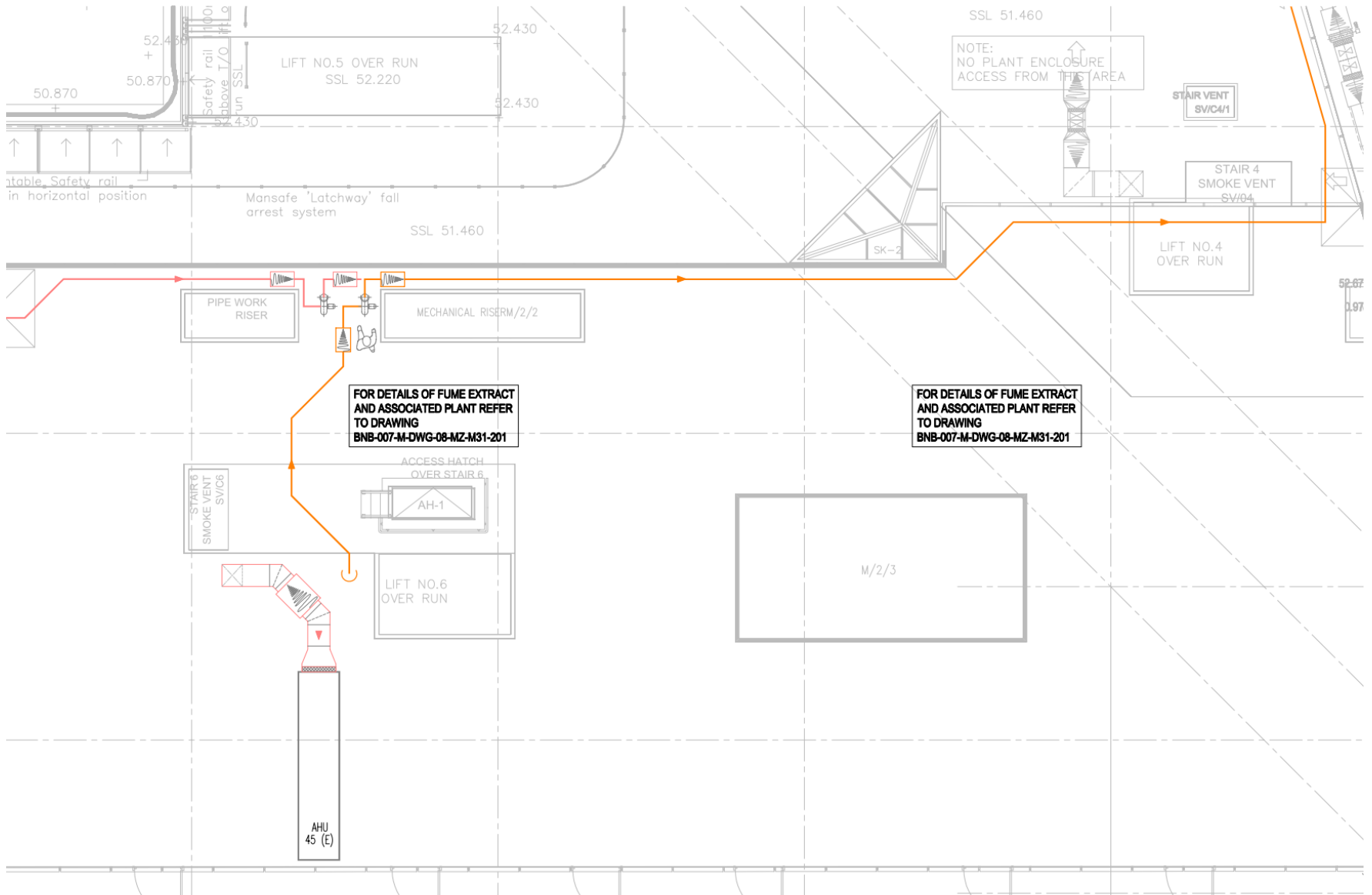












Considerations for future projects :

- No two projects will be alike
- Agree the design parameters and pressure differentials early in the project
- Allowance for sufficient plant and services distribution space



Thank you

Any Questions